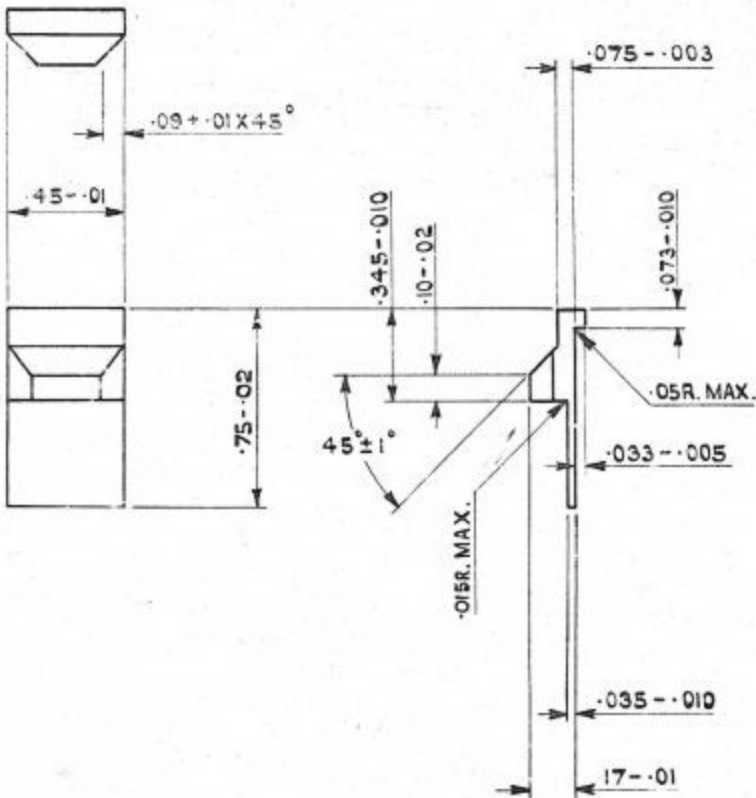


DRAWING NUMBER
P3/16261/306.

THIRD ANGLE PROJECTION

USED ON

P3/16306/306.



EDGES BROKEN .01 ± .01

ACTUAL SIZE.

SURFACE FINISH $\sqrt{125}$ UNLESS OTHERWISE STATED.

IDENTICAL WITH RSC 5354.

MATERIAL:-
STEEL BS 970 PT.1. 080M 30Q 2-
OR 080A35

PROTECTIVE FINISH

NONE

TOLERANCES

FOR EXPLANATION OF DIMENSIONING
ETC., SEE B.S. 308 & 1134.

CHECKED

ISSUE DATE

CHANGE

1

22-6-56

CERT

SCALE 2/1

DIMENSIONS IN INCHES.

TRACED
R. E. H.

ARMAMENT RESEARCH &
DEVELOPMENT ESTBL. M. OF S.

ISSUED BY
D.I.A.R.M.

DRAWN
CANADA.

TITLE
LUG.

DRAWING NUMBER
P3/16261/306.

SIZE A

NOT TO SCALE

0 10 20 30 40 50 60 70 80 90 100

TRIM PRINT TO THIS LINE

CONDITIONS OF RELEASE

This document is the property of the Government of Canada and is loaned to you for your information only. It is not to be distributed outside your organization. It is to be returned to the originator when no longer required. This information is not to be used for any purpose other than that for which it was provided. The Government of Canada is not responsible for any loss or damage to this information.

by the UK Government. This information may be disclosed only within the Defence Department authorized by the relevant authority. This information may be subject to priority control. The information is released for information only. It is not to be used for any purpose other than that for which it was provided. The recipient Government shall be responsible for its security protection in this controlled document.

This information is not to be distributed outside your organization. It is to be returned to the originator when no longer required. This information is not to be used for any purpose other than that for which it was provided. The Government of Canada is not responsible for any loss or damage to this information.

This information is not to be distributed outside your organization. It is to be returned to the originator when no longer required. This information is not to be used for any purpose other than that for which it was provided. The Government of Canada is not responsible for any loss or damage to this information.